

CONTINUOUS TUBE PULLER



TUBE TOOLS



PULLING GUN

POWERPACK

Features :

Available with a choice of Electric - BTPP System or Pneumatic - BPPP System for hazardous, explosive working environments.

Pulling gun communicates with power pack via DC remote control. This ensures safety and eliminates the need of electrical cord between pump and gun that other manufacturers provide.

Microprocessor controls on power pack and gun ensure trouble free life.

Low setup time and ease of operation.

Removes tube without any damage to tube sheet.

High power & High speed automatic cycling, for highest speed of pull available worldwide.

Auto switchover from low pressure high flow to high pressure low flow on load and again back to low pressure high flow when load is released.

Automatic slow start feature to minimize risk of breaking tubes and to conserve consumables.

Compact design of Power pack and Gun.

Interchangeable pulling guns with same Powerpack. 15 ton gun for light duty high speed work, 30 ton gun for heavy duty tube pulling and 45 ton gun for tubes up to 3" O.D.

Significant saving of time and money over conventional system.

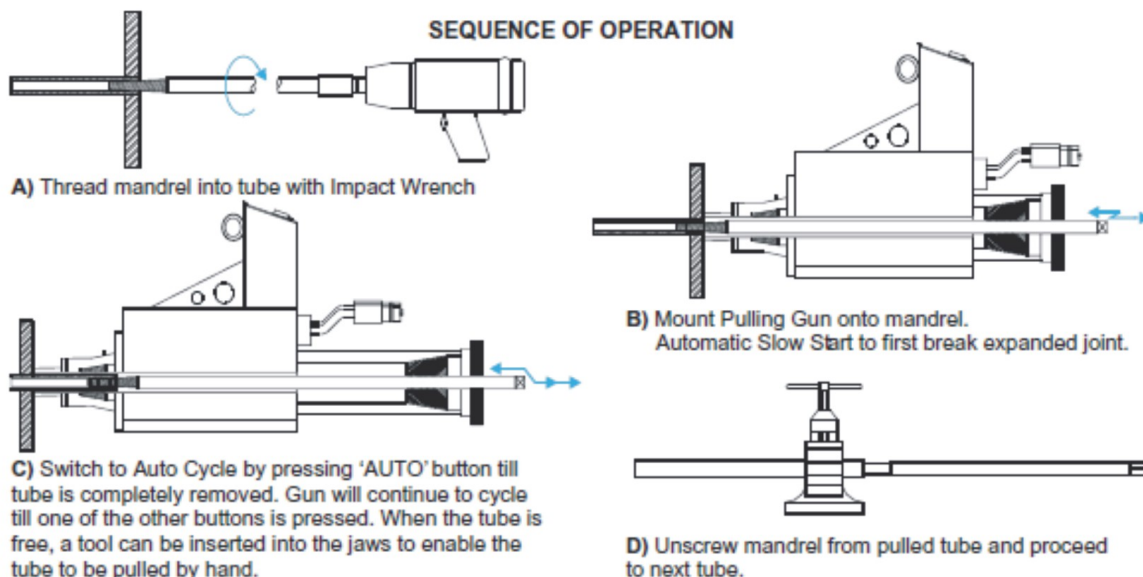
Low maintenance cost and worldwide availability of components.

Unit is portable with handle and mounted on four wheels for easy handling.

Pulls up to 3" OD tubes continuously, pulls up to 4" O.D. stub.

Unit will pull tubes continuously through the gun effortlessly, needing only one man for operation.

Totally heavy steel metal body with duly power coated of power pack or stainless steel body can be provided for longer corrosion free life (Optional)



CONTINUOUS TUBE PULLER



TUBE TOOLS

CONTINUOUS HYDRAULIC TUBE PULLER (3/8" TO 4")



Electric Pump (BTPP-50)



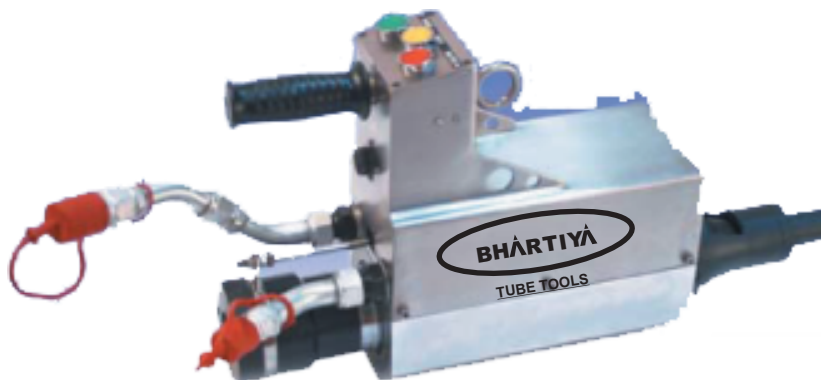
Pneumatic Pump (BPPP-50)

TUBE PULLING POWERPACK - SPECIFICATIONS

Model	Motor	Volts/Phase	Power Hp	Oil Tank Capacity Ltrs.	Net Wt. Kgs.	Dim Mm	Air Supply	Hyd.Hoses Size x Length Inch x mtrs.
BTPP-50	Siemens	415 / 3	5	90	220	1200 x 750 x 990	-	1 / 2"x5 & 3/4" x5
BTPP-75	Siemens	415 / 3	7.5	138	270	1225 x 775 x 1015	-	1 / 2"x5 & 3/4" x5
BTPP-30	Siemens	415 / 3	3	12	42	500 x 410 x 750	-	1 / 2"x5 & 3/4" x5
BPPP-50 (Pneumatic)	Gast	-	9	90	220	700 x 560 x 480	1800 CFM AT 7 BAR	1 / 2"x5 & 3/4" x5

Note : Max. Working Pressure 350 Bar

All Powerpack supplied with 5mtr. Long hydraulic hoses.



HYDRAULIC TUBE PULLING GUNS - SPECIFICATIONS

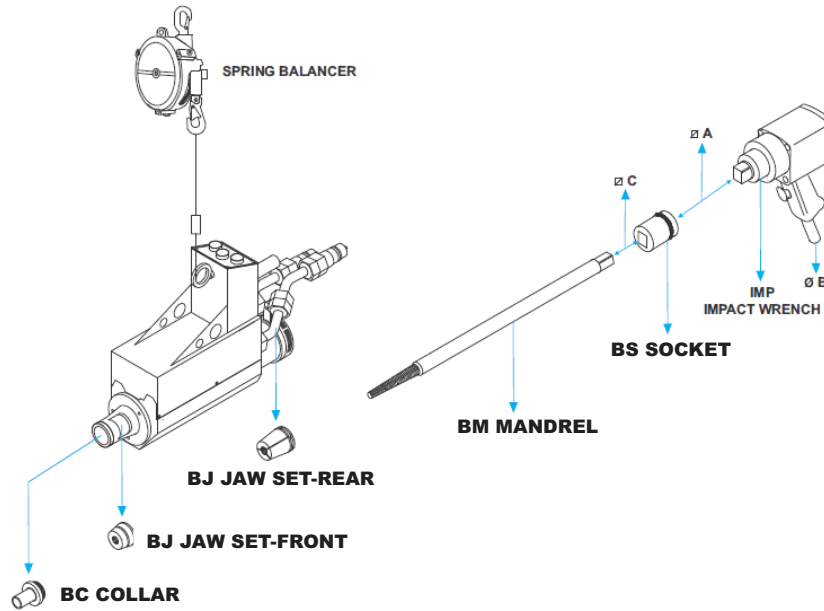
Gun Model	Capacity Tons	Max. Tube O.D. Thru Gun Inch	Stub Pulling Capacity Inch	Weight		(Meter/min) with			
				Lbs.	Kgs.	BTPP-50	BTPP-75	BTPP-30	BPPP-50
BHPG-15	15	1	1.1/2	57	26	5.2	8.4	1.8	5.6
BHPG-30	30	1.1/2	3	84	38	3.0	3.7	2.4	3.5
BHPG-45	45	3	4	172	78	2.0	2.7	2.0	2.3

Note : All pulling guns are supplied with Forward, Reverse, & Auto Cycle Switches

CONTINUOUS TUBE PULLER



TUBE TOOLS



SPRING BALANCER

* Used to pulling guns for 'feather touch', operation.

* Free the operator from handling weight of the gun, allowing him to concentrate on the tube pulling operation.

Model	Balancer Range		For Pulling Gun Model	Weight	
BSEW-30	44 - 66	20 - 30	BHPG-15	21.0	9.5
BSEW-40	66 - 88	30 - 40	BHPG-30	23.1	10.5
BSEW-85	154 - 187	70 - 85	BHPG-45	33.0	15.0

IMP - IMPACT WRENCH

* Used to thread BM mandrels into tube with help of sockets.

Model	Suited For Mandrel Model Numbers	Weight		A	B
		Kg	Lbs		
IMP-1	BM-7 to BM-37	5.0	11.0	3/4"	3/8"
IMP-1	BM-19 to BM-95/102	10.5	23.0	1"	1/2"

BS = SOCKET

* Used to connect impact wrench to pulling mandrel.

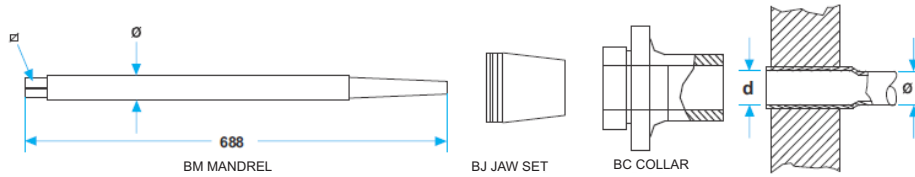
Model	A	B
BS-1	3/4"	3/8"
BS-2	3/4"	1/2"
BS-3	3/4"	5/8"
BS-4	3/4"	3/4"
BS-5	3/4"	1"
BS-6	1"	3/4"
BS-7	1"	1"
BS-8	1"	1.1/2"

CONTINUOUS TUBE PULLER



TUBE TOOLS

WORKING CONSUMABLE - CONTINUOUS TUBE PULLER



Tube Size		Tube I.D. After Expansion d		Mandrel Model	Square Size	Jaw Set			Collar		
Ø	Bwg	Inch	Mm	BM	☒	Model For BHPG-15 BJ 15	Model For BHPG-30 BJ 30	Model For BHPG-45 BJ 45	Model For BHPG-15 BC 15	Model For BHPG-30 BC 30	Model For BHPG-45 BC 45
3/8"	17-19	0.260-0.295	6.5-7.5	7	5/16"	1	1		11	11	
	20-24	0.295-0.335	7.5-8.5	8							
1/2"	14-16	0.335-0.375	8.5-9.5	9	3/8"	2	2		15	15	
	17-18	0.375-0.415	9.5-10.5	10							
	19-21	0.415-0.455	10.5-11.5	11							
5/8"	24	0.455-0.495	11.5-12.5	12	1/2"	3	3		18	18	
	16-17	0.495-0.535	12.5-13.5	13A							
	19-21	0.535-0.570	13.5-14.5	14A							
3/4"	23-24	0.570-0.610	14.5-15.5	15A	5/8"	4	4		21	21	
	11	0.495-0.535	12.5-13.5	13							
	12-13	0.535-0.570	13.5-14.5	14							
	14-15	0.570-0.610	14.5-15.5	15							
	16-17	0.610-0.650	15.5-16.5	16							
	18-20	0.650-0.690	16.5-17.5	17							
7/8"	21-24	0.690-0.730	17.5-18.5	18	5/8"	4/A	4/A		25	25	
	14	0.690-0.730	17.5-18.5	18 S							
	16-17	0.730-0.770	18.5-19.5	19 S							
1"	18-19	0.770-0.810	19.5-20.5	20 S	3/4"	5	5	5	28	28	28
	10-11	0.730-0.770	18.5-19.5	19							
	12	0.770-0.810	19.5-20.5	20							
	13-14	0.810-0.845	20.5-21.5	21							
	15-16	0.845-0.885	21.5-22.5	22							
3/4" Gas	18	0.885-0.925	22.5-23.5	23							
	19-20	0.925-0.965	23.5-24.5	24							
	13	0.845-0.886	21.5-22.5	22 G							
	14-15	0.886-0.925	22.5-23.5	23 G							
1.1/4"	16-17	0.925-0.965	23.5-24.5	24 G	1"		6	6		31	31
	19-21	0.965-1.005	24.5-25.5	25 G							
	10	0.965-1.005	24.5-25.5	25							
	11-12	1.005-1.045	25.5-26.5	26							
	13	1.045-1.085	26.5-27.5	27							
	14-15	1.085-1.125	27.5-28.5	28							
1 Gas	16-18	1.125-1.160	28.5-29.5	29			7	7		34	34
	19-22	1.160-1.200	29.5-30.5	30							
	23-24	1.200-1.240	30.5-31.5	31							
	9	1.005-1.045	25.5-26.5	26 G							
1.1/2"	10	1.045-1.085	26.5-27.5	27 G			8	8		37	37
	11-12	1.085-1.125	27.5-28.5	28 G							
	13-14	1.125-1.160	28.5-29.5	29 G							
	10-11	1.240-1.280	31.5-32.5	32							
	12-13	1.280-1.320	32.5-33.5	33							
1.1/2"	14	1.320-1.360	33.5-34.5	34			9	9		41	41
	15-17	1.360-1.400	34.5-35.5	35							
	18-20	1.400-1.440	35.5-36.5	36							
	21-24	1.440-1.475	36.5-37.5	37							

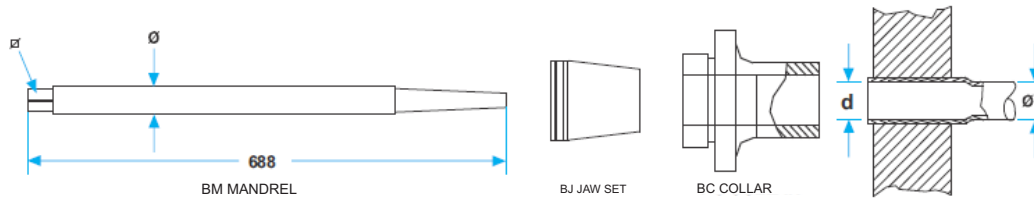
NOTE: For Tubes larger than 3"O.D., Please contact us for larger size working consumable & larger size tube pulling guns. All models indicated above are for continuous pulling. When you are using equipment for stub pulling. Please contact us for modifications needed.

CONTINUOUS TUBE PULLER



TUBE TOOLS

WORKING CONSUMABLE - CONTINUOUS TUBE PULLER



Tube Size		Tube I.D. After Expansion d		Mandrel		Jaw Set			Collar		
Ø	Bwg	Inch	Mm	Model BM	Square Size	Model For BHPG-15 BJ 15	Model For BHPG-30 BJ 30	Model For BHPG-45 BJ 45	Model For BHPG-15 BC 15	Model For BHPG-30 BC 30	Model For BHPG-45 BC 45
1.1/4" Gas	12	1.440-1.475	36.5-37.5	37 G	1"			10	10	44	44
	13-14	1.475-1.515	37.5-38.5	38 G							
	15-16	1.515-1.555	38.5-39.5	39 G							
	17-19	1.555-1.595	39.5-40.5	40 G							
	20-24	1.595-1.635	40.5-41.5	41 G							
1.3/4"	10-11	1.475-1.515	37.5-38.5	38/44							
	12	1.515-1.555	38.5-39.5	39/44				11	48		
	13-14	1.555-1.595	39.5-40.5	40/44							
	15-16	1.595-1.635	40.5-41.5	41/44							
	18-19	1.635-1.675	41.5-42.5	42/44							
	20-24	1.675-1.715	42.5-43.5	43/44							
1.1/2" Gas	11-12	1.715-1.755	42.5-43.5	43G		3/4"					12
	13-14	1.755-1.795	43.5-44.5	44G							
	15-17	1.795-1.830	44.5-54.5	45G							
	18-19	1.830-1.870	45.5-46.5	46G							
2"	10	1.830-1.870	43.5-44.5	44/51				13	54		
	11-12	1.870-1.910	44.5-45.5	45/51							
	13	1.910-1.950	45.5-46.5	46/51							
	14-15	1.950-1.990	46.5-47.5	47/51							
	16-18	1.870-1.910	47.5-48.5	48/51							
	19-22	1.910-1.950	48.5-49.5	49/51							
2.1/4"	9-10	1.950-1.990	49.5-50.5	50/57	14			60			
	11	1.990-2.030	50.5-51.5	51/57							
	12-13	2.030-2.070	51.5-52.5	52/57							
2" Gas	7	1.990-2.030	50.5-51.5	51G	15			63			
	8	2.030-2.070	51.5-52.5	52G							
	9	2.070-2.105	53.5-53.5	53G							
2.1/2"	7	2.015-2.145	53.5-54.5	54/63	16			66			
	8	2.145-2.185	54.5-55.5	55/63							
	9	2.185-2.225	55.5-56.5	56/63							
	10	2.225-2.265	56.5-57.5	57/63							
3"	7	2.580-2.620	66.5-67.5	67/76	17	80					
	8	2.620-2.660	67.5-68.5	68/76							
	9-10	2.660-2.695	68.5-69.5	69/76							
	11	2.695-2.735	69.5-70.5	70/76							

BHARTIYA ENTERPRISES

OFFICE: G-201, USHA COMPLEX, KHANDELWAL MARG, BHANDUP (W.),

MUMBAI -400078, INDIA

PH.: +91-22-2585 4509, 9029005461, 2588 3527 FAX: +91-22-2588 3527.

E-mail : bharatflex@yahoo.com

Website: www.bharatiyaiindustries.com, www.tubecleaner.co.in

Authorised Dealer